






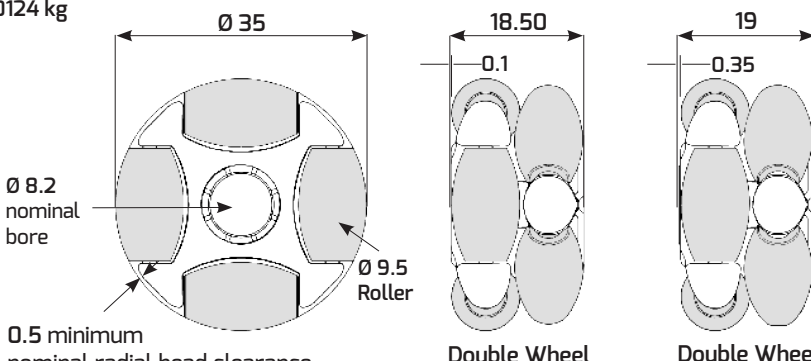
开孔与套管



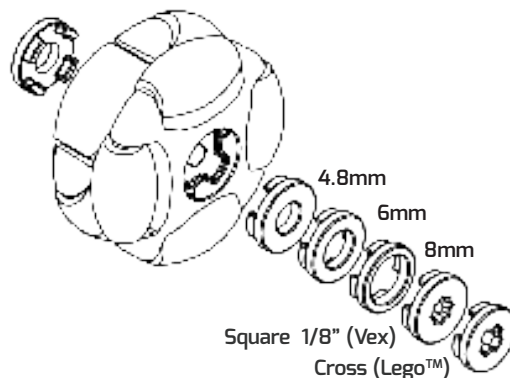
Wheels & Roller Type	4.8mm	6.0mm	8.0mm	Square 1/8" (Vex)	Cross (Lego™)
 R2 40A TPE 滚子/ABS轮毂 承重 2.5/50 kg	R2-0354-40/B05	R2-0354-40/B06	R2-0354-40/B08	R2-0354-40/VX	R2-0354-40/LX
 R2 85A PU 滚子/缩醛轮毂 承重 TBC	R2-0354-85/A05	R2-0354-85/A06	R2-0354-85/A08	---	---
 R2 Solid Nylon 滚子/缩醛轮毂 承重 10/50 kg	R2-0354-99/A05	R2-0354-99/A06	R2-0354-99/A08	---	---

Load Capacity Notes: Load Capacity is expressed as both lateral "/" and static. The lateral load capacity is the load at which roller compression/deflection can result in radial head contact with the running surface, impeding direct lateral (sideways) movement or in the case of abrasive surfaces (such as concrete) cause possible wear to the radial head, reducing the life of the product. The static load capacity is that which the wheel can individually support in a stationary state.

Custom Bores in different sizes and shapes are available on request.

Wheel Dimensions (in mm)	Conversion																			
Weight: 0.0124 kg 	<table border="1"> <thead> <tr> <th>Metric</th> <th>Imperial</th> </tr> </thead> <tbody> <tr><td>3.2mm</td><td>1/8"</td></tr> <tr><td>4.8mm</td><td>3/16"</td></tr> <tr><td>6.35mm</td><td>1/4"</td></tr> <tr><td>8.00mm</td><td>5/16"</td></tr> <tr><td>11.1mm</td><td>7/16"</td></tr> <tr><td>12.7mm</td><td>1/2"</td></tr> <tr><td>15.88mm</td><td>5/8"</td></tr> <tr><td>25.4mm</td><td>1"</td></tr> </tbody> </table>	Metric	Imperial	3.2mm	1/8"	4.8mm	3/16"	6.35mm	1/4"	8.00mm	5/16"	11.1mm	7/16"	12.7mm	1/2"	15.88mm	5/8"	25.4mm	1"	
Metric	Imperial																			
3.2mm	1/8"																			
4.8mm	3/16"																			
6.35mm	1/4"																			
8.00mm	5/16"																			
11.1mm	7/16"																			
12.7mm	1/2"																			
15.88mm	5/8"																			
25.4mm	1"																			

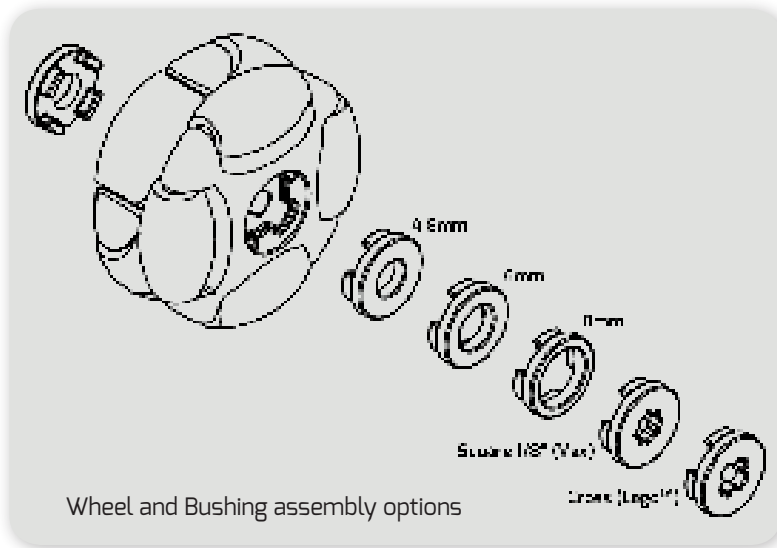
Wheel and Bushing Assembly



Patent pending.

© 2015 Rotacaster Wheel Pty Ltd

Technical Information



35mm Rotacaster全向轮自带8.2mm（直径）开孔。另外提供与轮毂材质一致的4.8mm, 6mm 或 8mm 直径的套管（ABS, Acetal）。

35mm Rotacaster全向轮为速度与加速提供了最大的牵引力。另外，配 1/8” 方型套管 (for Technics Vex) 或十字轮轴套管 (for Lego™ M)，是机器人竞赛的理想用轮。

Wheels (excluding Bushings)

P/N	Load Capacity	Wheel Body Type	Roller Material	Durameter	Co-Efficient of Friction
R2-0354-40	2.50 / 50 kg	ABS (B)	TPE	40A	TBC
R2-0354-85	TBC	Acetal (A)	PU	85A	TBC
R3-0354-99	10 / 50 kg	Acetal (A)	Nylon 66	Solid	TBC

Load Capacity Notes: Load Capacity is expressed as both lateral “/” and static. The lateral load capacity is the load at which roller compression/deflection can result in radial head contact with the running surface, impeding direct lateral (sideways) movement or in the case of abrasive surfaces (such as concrete) cause possible wear to the radial roller support, reducing the life of the product. The static load capacity is that which the wheel can individually support in a stationary environment.

Bushings

Material	4.8mm	6.0mm	8.0mm	1/8” Square (Vex)	Cross (Lego™)
ABS	13-9606-0511-B	13-9606-0611-B	13-9606-0811-B	13-9606-VX	13-9606-LX
Acetal	13-9606-0511-A	13-9606-0611-A	13-9606-0811-A	---	---

Download Step Files are available for custom bushing manufacture - 3D print or machining. Please visit: www.Rotacaster.com.au
Custom Bores in different sizes and shapes are available on request.